



XC958

WEICHAI WD10G220E21

Engine Model

162 kW

Rated Power

16950±300 kg

Total Weight

3.2 m³

Bucket Capacity



WHEEL LOADER

- As a new generation of special lifting product launched by XCMG Construction Machinery Co., Ltd., XC958 is an innovative wheel loader developed and designed based on extensive market and technical research. It features not only high performance and streamlined appearance, but also greatly-improved reliability, safety, comfort and maintainability compared with the previous generation products.
- XC958 wheel loader integrated with a platform is suitable for all kinds of operating conditions, and can be optionally configured with triple hydraulic system, XCMG wet axle, oil bath, reversing camera, centralized lubrication, operating linkage for high dumping and super-high dumping, 2.5-5.0 m³ series buckets, tongs, grass clamp, fog-mouth clamp, spreader, snow shovel and quick tools, etc.
- With high adaptability to various operating conditions, XC958 wheel loader is mainly used for excavation and loading or short-distance transfer of materials in sand and gravel quarries, coal yards, agriculture and animal husbandry, ports, wharves, etc., as well as stripping of surface soil, and cleaning of construction and domestic waste.



Head Office Gaya Makmur Putra

Jl. Lingkar Luar Barat No.3 Rawa Buaya - Cengkareng

Jakarta Barat - Indonesia 11740

Telp : (62 21) 5828 799

Email : info@gmtractors.net

Website : www.gmtractors.net

SPECIFICATION

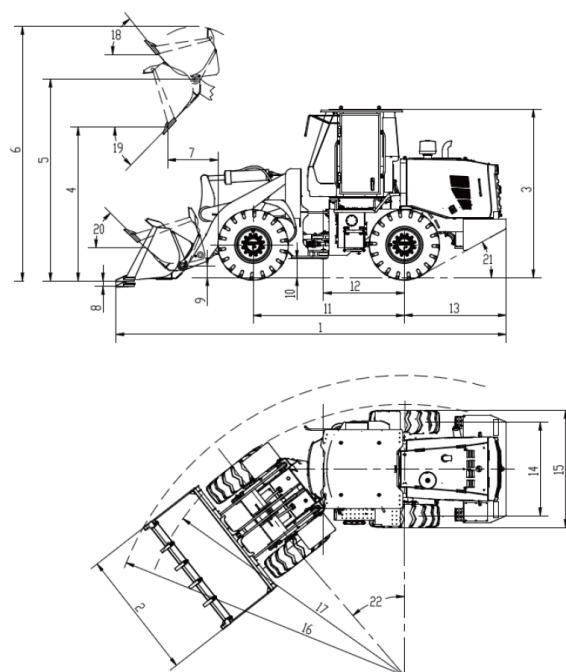
WHEEL LOADER XC958

Standard Arm	
Rated load kg	5500 kg
Rated bucket capacity	3.2 m ³
Rated power kW	162 kW
Working mass	16950±300 kg
Max tractive force	160±5 kN
Max breakout force	180±5 kN
Wheel base	3350 mm
Wheelbase	2250 mm
Dumping height	3070 mm
Dumping range	1240 mm
Boom lifting time	5 S
Total	10 S
Max gradeability	28 °
Steering angle	40 °
Speed at Gear 1 (forward/reverse)	13/17 km/h
Speed at Gear 2 (forward/reverse)	40 km/h
Overall dimensions (L × W × H)	8380×2996×3455 mm

Engine		
Model	WEICHAİ WD10G220E21	
Type	Inline, six-cylinder, water-cooled, turbocharged	
Displacement	9.726	
Emission standard	China II	
Gearbox		
Type	Planetary transmission	
Gears	2 forward 1 reverse	
Drive axle		
Brand and form	XCMG dry drive axle	
Tyre		
Standard specifications	XCMG dry drive axle , rear wheel: 23.5-25-16PR	
Working hydraulic system		
Type	Dual-transmission confluence quantitative hydraulic system	
Operation mode	Pilot control	
Steering hydraulic system		
Type	Full hydraulic steering system	
Brake System	Service brake	Air over hydraulic, four-wheel caliper disc brake
	Parking brake	Pneumatically-controlled internal expanding shoe brake
Air conditioner	Cooling and heating	
Fuel/oil filling (for reference)		
Diesel L	300	
Engine oil L	20	
Antifreeze L	45	
Drive axle oil L	2×27	
Hydraulic fuel L	150	
Brake fluid L	3	

DIMENSION

Parameter	standard arm 3.2 m ³	small-height dumping 3.0 m ³	small-height dumping 3.2 m ³
Overall width mm	2996	2996	2996
Overall height mm	3455	3455	3455
Dumping height mm	3070	3380	3360
Pivot height mm	4150	4450	4450
Maximum lift height mm	5665	5900	5965
Dumping range mm	1240	1150	1170
Digging depth mm	90	80	80
Transport pin height mm	560	560	560
Min ground clearance mm	425	425	425
Wheel base mm	3350	3350	3350
From the center of rear axle mm	1675	1675	1675
Rear overhang length mm	2140	2140	2140
Wheelbase mm	2250	2250	2250
Mainframe width mm	2850	2850	2850
Turning radius (outside of tool) mm	6750	6820	6825
Turning radius (outside of tyre) mm	6045	6045	6045
Rollback angle during lifting °	57	57	57
Dumping angle °	45	45	45
Dumping angle at transport position °	47	47	47
Departure angle °	28	28	28
Vehicle steering angle °	40	40	40



THE SPECIFICATIONS ARE SUBJECT TO CHANGE WITHOUT NOTICE. THE PICTURES MAY INCLUDE OPTIONS. THE ACTUAL COLOR & APPEARANCE OF THE PRODUCT MAY DIFFER FROM WHAT IS SHOWN.

Networking

Jakarta | Semarang | Surabaya | Medan | Pekanbaru | Jambi | Palembang | Batam | Balikpapan | Banjarmasin | Makassar | Kendari | Manado
Samarinda | Pontianak | Sampit | Denpasar | Kupang